




COBBLE SERIES™ & CRACOVIA CIRCLE



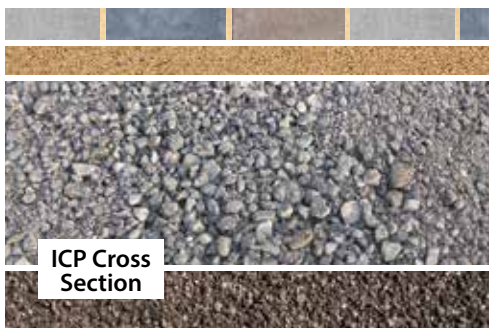
INTERLOCKING CONCRETE PAVEMENT SYSTEM (ICP)

DURABLE FLEXIBLE PAVEMENT SYSTEM

STYLE		CODE	DIMENSIONS	BANDS	CUBES
Cobble™ Three Quarter 4" x 6"		4QC	120mm x 160mm x 60mm Approximate 4¾" x 6¼" x 2¾" (PSF = 4.84 stones)	11.57 SF 324# (56 stones)	81 SF 2268# (7 bands)
Cobble™ Large Circle		4LC	(PSF = 4.92 stones)	6 SF 168# (30 stones)	54 SF 1512# (9 bands)
Cobble™ Circle Center Pack		4CC	Pieces needed per Circle Center: <i>1 Center stone</i> <i>16 Small circle stones</i> <i>8 Three quarter stones</i> <i>3 Half squares (for rings 6 & 8)</i>		5.6 SF 160#

COMPOSITION & MANUFACTURE

Typical Cross Section of Concrete Paving Stone



- Borgert Pavers**
- Bedding Sand 1" Thick (ASTM C33)**
- Compacted Aggregate Base Class 2 or Class 5**
(Thickness depends on soil condition and application)
Prior to screeding the bedding sand, the base surface tolerance must not exceed +/-1/4 in.(+/-6mm) over a 10gt. (3m) straight edge.
- Compacted Soil Subgrade**

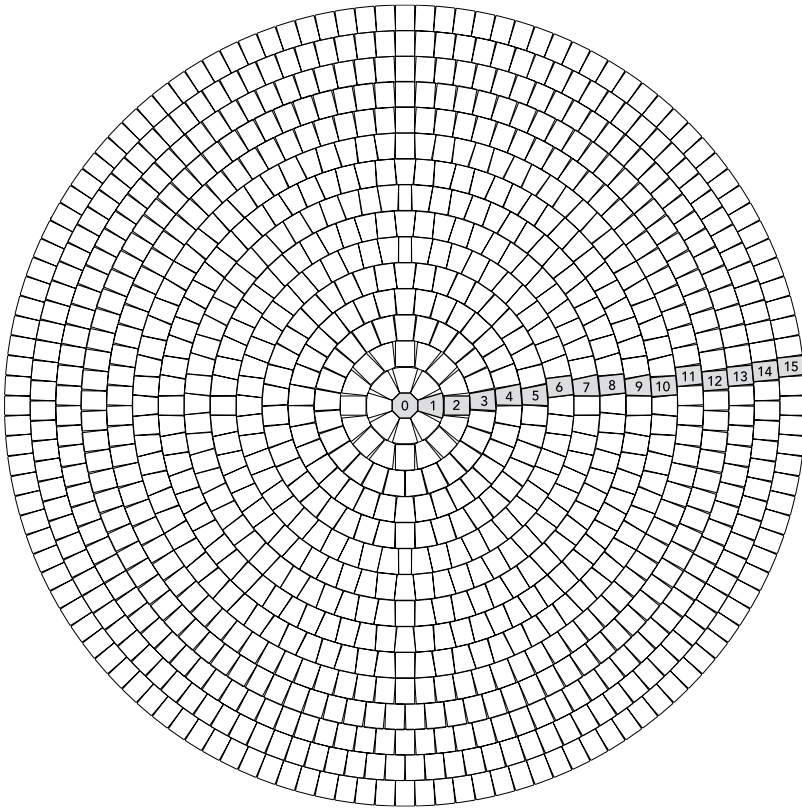
- Pavers exceed industry standards: 8,000 psi - 5% absorption
- Meets or exceeds ASTM C-936 and freeze-thaw testing per section 8 of ASTM C-67
- Manufactured with type A aggregates
- Associated with a range of LEED credits
- ADA Compliant

Written detailed specification information is available, call or visit our website at borgertproducts.com.

Edge restraint detail provided based on application.

COBBLE SERIES™ & CRACOVIA CIRCLE

DURABLE FLEXIBLE PAVEMENT SYSTEM



You can begin your circle with your choice of diameter! The packaging of the Cobble Circle makes it easy to order just what you need. The chart above shows the total number of stones per ring. (i.e. Ring 7=96.5 inch diameter which requires 30 pieces of the Large Circle Stone and 30 pieces of the Three Quarter Stone.)

To go the FULL CIRCLE, see the chart on the next page, it lists the quantities and square footage of your chosen diameter. (i.e. a 14.31 foot diameter circle requires 1 center pak, 1 cube of Large Circle Stone, and 1 cube plus 2 bands of Three Quarter Stone – giving you a finished area of 163.76 square feet.)

BENEFITS OF ICP

- Flexible system, does not crack or heave in cold climates
- Easier maintenance to the pavement and utilities underneath
- Achieve endless design possibilities with different shapes, textures, colors and laying patterns
- Use pavers to delineate lines and spaces to eliminate the need to maintain paint
- Suitable for a range of applications: plazas, walkways, driveways, roads, etc.
- Borgert pavers are made with granite, creating a dense, resistant wearing course

PAVER QTY. TO THE NEAREST BAND

RING	DIA / FT	SQ FT	CIRCLE CTR	LARGE CIRCLE	¾ STONE 81 SQ FT	TOTAL SQ FT
0-2	2.65	5.6	1 Pak	---	---	5.6
3	3.72	10.87	1 Pak	1 Band	---	11.6
4	4.78	17.95	1 Pak	2 Bands	---	17.6
5	5.84	26.79	1 Pak	3 Bands	1 Band	35.18
6	6.91	37.5	1 Pak	4 Bands	1 Band	41.18
7	8.05	50.9	1 Pak	5 Bands	2 Bands	58.76
8	9.03	64.04	1 Pak	6 Bands	2 Bands	64.76
9	10.06	79.46	1 Pak	7 Bands	3 Bands	82.34
10	11.13	97.29	1 Pak	8 Bands	4 Bands	99.88
11	12.18	116.52	1 Pak	1 Cube	5 Bands	117.45
12	13.25	137.89	1 Pak	1 Cube	1 Cube	140.6
13	14.31	160.83	1 Pak	1 Cube	1 Cube 2 Bands	163.73
14	15.37	185.54	1 Pak	1 Cube	1 Cube 4 Bands	186.87
15	16.43	212.01	1 Pak	1 Cube	2 Cubes	221.58
16	17.49	240.25	1 Pak	1 Cube	2 Cubes 2 Bands	244.72
17	18.55	270.26	1 Pak	1 Cube	2 Cubes 5 Bands	279.43
18	19.61	302.03	1 Pak	1 Cube	3 Cubes	302.57
19	20.67	335.56	1 Pak	1 Cube	3 Cubes 3 Bands	337.28
20	21.73	371	1 Pak	1 Cube	3 Cubes 6 Bands	372
21	22.79	408	1 Pak	1 Cube	4 Cubes 3 Bands	418
22	23.85	447	1 Pak	1 Cube	4 Cubes 6 Bands	453
23	24.91	487	1 Pak	1 Cube	5 Cubes 2 Bands	488
24	25.97	530	1 Pak	1 Cube	5 Cubes 6 Bands	534
25	27.03	574	1 Pak	1 Cube	6 Cubes 3 Bands	580
26	28.09	620	1 Pak	1 Cube	7 Cubes	627
27	29.15	667	1 Pak	1 Cube	7 Cubes 4 Bands	673
28	30.21	717	1 Pak	1 Cube	8 Cubes 1 Band	719
29	31.27	768	1 Pak	1 Cube	8 Cubes 6 Bands	777